

MS-324 Reed Sensor

Electrical Characteristics

Contact Form (ASA) / Contact type		A / 3	C / 4
Contact rating max.	W / VA	10	3
Switching current max.	A	0.5	0.25
Carry current max.	A	1.0	1.0
Switching voltage max.	VDC	180	130
	VAC	130	100
Breakdown voltage min.	VDC	200	200
Contact resistance (initial)	mΩ	150	150
Isolation resistance min.	Ω	10 ¹¹	10 ⁹
Capacitance typ.	pF	0.2	1.2

Magnetical Characteristics

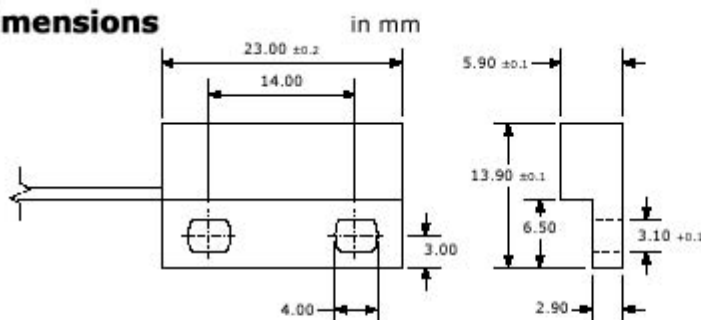
Pull in range available ¹	AT	10-35	15-35
--------------------------------------	----	-------	-------

¹ AT range stated for **unmodified** Reed Switch; Standard range 10-15 AT; for contact type 3, 15-20 AT for contact type 4.

Operating Characteristics

Operate time max. (incl. bounce)	ms	0.5	2.5
Release time max.	ms	0.1	0.8
Switching frequency max.	Hz	500	100
Resonate frequency max.	Hz	4,500	6,000
Vibration (50-2000 Hz)	g	30	30
Shock (1 / 2 sin 11 ms)	g	100	50
Operating temperature	°C	-40 to +85	

Dimensions



Cable Termination

1 = stripped and tinned Standard	2 = cord end sleeves 	3 = spade terminals 2.8 x 0.8 mm
--	---------------------------------	---

Standard lead length 500 mm of stranded wire 2 x 0.14 mm². Customized types upon request

Technokey Company Ltd.

Unit 6-8, 26/F, Yen Sheng Centre,
64 Hoi Yuen Road,
Kwun Tong, Kln, Hong Kong.
Web Site: <http://technokey.com>

Tel: (852) 2950 9818
Fax: (852) 2950 0561
Tel: 021-6443 9350, 6404 8811 (Sh)
E-mail: enquiry@technokey.com

MS-324

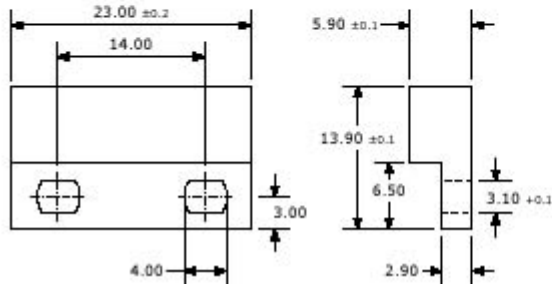
Reed Sensor

Ordering Information

Sensor type	Contact type	Cable length (cm)	Termination
MS-324	3 (Standard) or 4	yyy (Standard 50 cm)	1 (Standard), 2 or 3

Ordering example: MS-324-4-120-1 describes MS-324 using form C switch, 1200 mm cable length, termination stripped and tinned.

Magnet MSM-324



Technokey Company Ltd.

Unit 6-8, 26/F, Yen Sheng Centre,
64 Hoi Yuen Road,
Kwun Tong, Kln, Hong Kong.
Web Site: <http://technokey.com>

Tel: (852) 2950 9818
Fax: (852) 2950 0561
Tel: 021-6443 9350, 6404 8811 (Sh)
E-mail: enquiry@technokey.com