

MS-107

Reed Sensor

Electrical Characteristics

Contact Form (ASA)		A
Contact material		Ru
Contact rating max.	W / VA	10
Switching current max.	A	0.5
Carry current max.	A	1.0
Switching voltage max.	VDC	180
	VAC	130
Breakdown voltage min.	VDC	200
Contact resistance (initial)	mΩ	150
Isolation resistance min.	Ω	10 ¹¹
Capacitance typ.	pF	0.2

Magnetical Characteristics

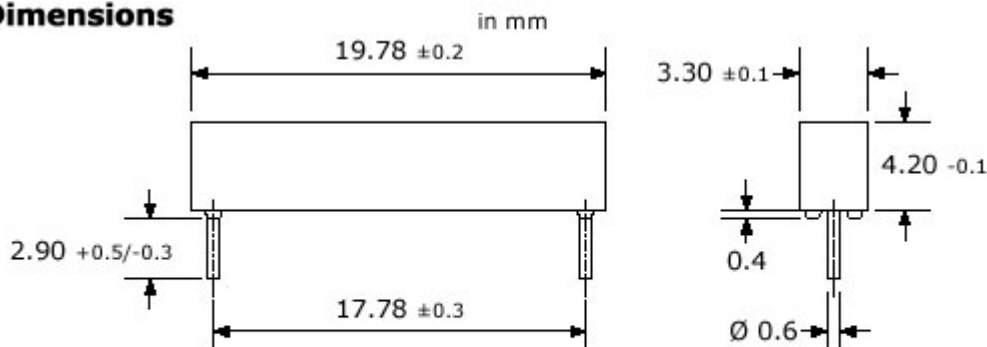
Pull in range available ¹	AT	10-35
--------------------------------------	----	-------

¹ AT range stated for **unmodified** Reed Switch; Standard range 10-15 AT

Operating Characteristics

Operate time max. (incl. bounce)	ms	0.5
Release time max.	ms	0.1
Switching frequency max.	Hz	500
Resonate frequency max.	Hz	4,500
Vibration (50-2000 Hz)	g	30
Shock (1 / 2 sin 11 ms)	g	100
Operating temperature	°C	-40 to +85

Dimensions



Ordering Information

Series	AT Range
MS-107	1 = 10-15 / 2 = 15-20 / 3 = 20-25 / 4 = 25-30 / 5 = 30-35

Ordering example: **MS-107-2** describes MS-107, 15 to 20 AT

Technokey Company Ltd.

Unit 6-8, 26/F, Yen Sheng Centre,
64 Hoi Yuen Road,
Kwun Tong, Kln, Hong Kong.
Web Site: <http://technokey.com>

Tel: (852) 2950 9818
Fax: (852) 2950 0561
Tel: 021-6443 9350, 6404 8811 (Sh)
E-mail: enquiry@technokey.com