

# SAW DEVICES

## For CATV System

### SAW FILTER FOR CATV SYSTEM SOUND IF

SAW filter for sound signal extraction of CATV system.

#### ■ Features

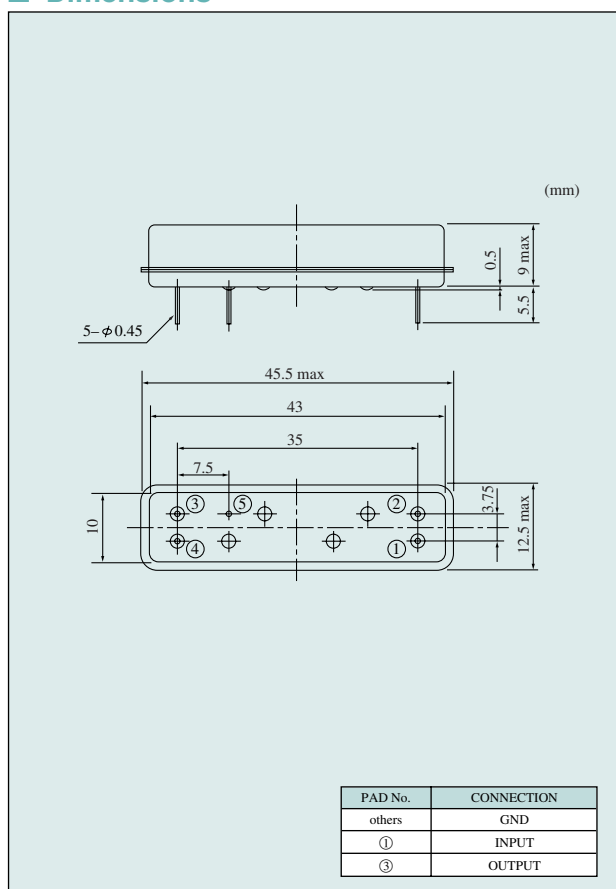
- Excellent filter characteristics
- No. adjustment type
- High stability type



#### ■ Specification

Item	Model	WF051A	WF051B
Nominal frequency (MHz)		54.25	41.25
3dB passband width (MHz)		+0.12 min	
Passband tolerance (± 0.1 MHz max) (dB)		± 0.5 max	
Insertion loss (dB)		25 max	28dB max
Attenuation (dB)	~ -1.5 MHz	50 min	
	-1.5 ~ -0.92 MHz	40 min	
	+0.92 ~ +1.5 MHz	40 min	
	+1.5 MHz ~	50 min	
Impedance (Ω)	Input	75 single	
	Output	75 single	
Operating temp. range (°C)		0 ~ +50	
Package type		PK-3	

#### ■ Dimensions



#### ■ Filter characteristics (example)

