

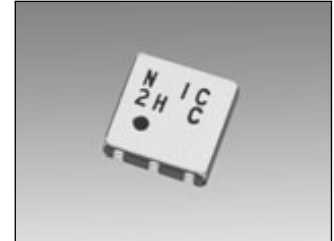
For Home Security System For Car Security System

REMOTE KEYLESS ENTRY SYSTEM

This is SAW filter used for home security system and car security system.

■ Features

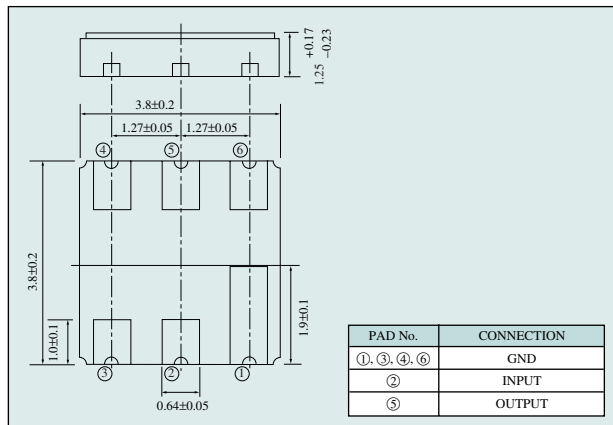
- Low insertion loss
- Excellent outband specification



■ Specification

Item	Model	WF705A		
		Min.	Typ.	Max.
Center frequency (MHz)			869	
Insertion loss (dB)			3.0	4.5
Ripple Deviation ($f_0 \pm 1.0$ MHz) (dB)			0.4	1.0
Attenuation (dB)	825 ~ 828 MHz	45	55	
	846 ~ 849 MHz	35	42	
	889 ~ 892 MHz	35	42	
	910 ~ 913 MHz	40	46	
Operating temp. range (°C)		-10		+60
Impedance (Ω)		50		

■ Dimensions



■ Filter characteristics (example)

