

For Mobile Communication / Paging System

SURFACE MOUNT TYPE MCF

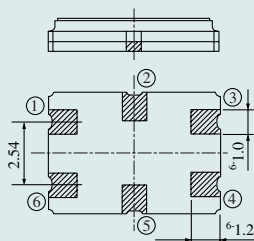
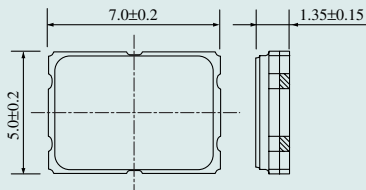
Compact, thin and lightweight crystal filter for surface mounting.

The compact size (7.0×5.0×1.35mm) is made possible with a lead free type ceramic container.

- Features
 - Small, thin (height 1.35mm)
 - IR reflow, VPS are applicable.
 - For surface mount (Emboss carries tapping applicable)
 - Excellent shock resistance
 - Excellent heat resistance
 - Good Guaranteed attenuation

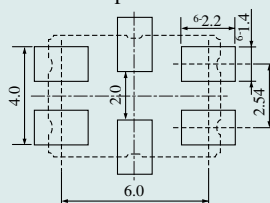


NM7050SA (mm)



PAD No	PAD CONNECTION
①	GND
②	GND
③	OUT PUT
④	GND
⑤	GND
⑥	IN PUT

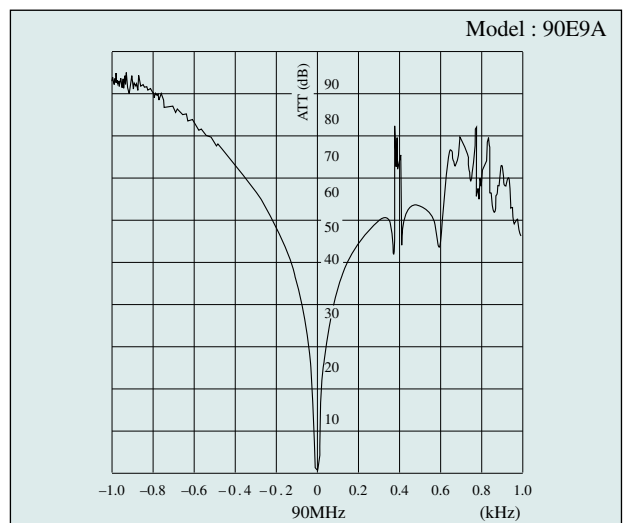
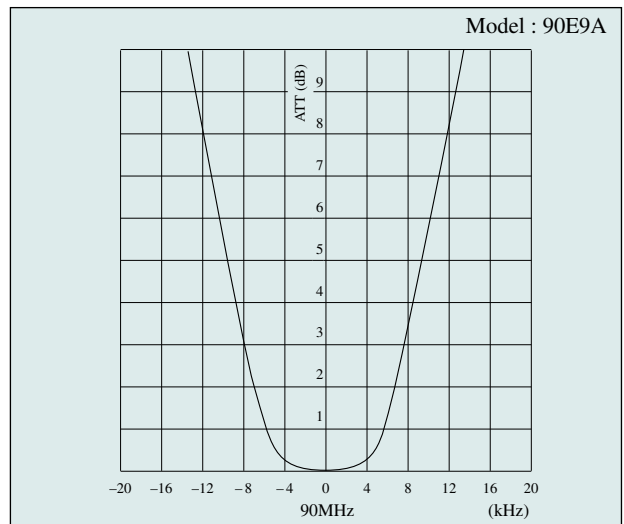
Reference footprint



■ Fundamental

Model	21E15AA	45E15A	90E9A
Pole	2	2	2
Nominal Frequency	21.7MHz	45MHz	90MHz
3dB Pass Bandwidth	±7.5kHz min	±7.5kHz min	±4.5 kHz min
Attenuation Bandwidth	±25kHz max at 15dB	±25kHz max at 13dB	±50kHz max at 25dB
Ripple	1.0dB max	1.0dB max	0.5dB max
Insertion Loss	1.5dB max (minimum loss)	3.0dB max (minimum loss)	5dB max (minimum loss)
Guaranteed Attenuation	F ₀ -910kHz 60dB min	F ₀ -910kHz 70dB min	F ₀ -910kHz 70dB min
Spurious	15dB min	10dB min	20dB min
Terminating Impedance	1.5kΩ//1.0pF	1kΩ//4pF	200Ω//8pF
Operating Temp. Range	-20~+70°C	-30~+70°C	-20~+70°C
Type	NM7050SA		

* [Type name] In () is previous name.



CRYSTAL FILTERS

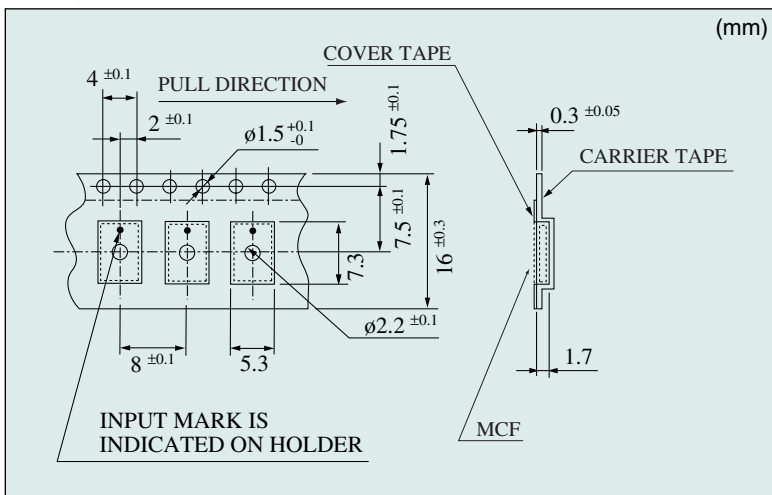
For Mobile Communication / Paging System

SURFACE MOUNT TYPE MCF

- Standard package of other SMD items is tray package. (If quantity is enough, taping package is available.)
- Package type of small quantity lot and sample etc. is determined by quantity.
- Tape & Reel for taping package is as below.

■ Type: NM7050SA
[2 pole]

■ Tape



■ Reel

