

Programmable Type

2775Y SERIES



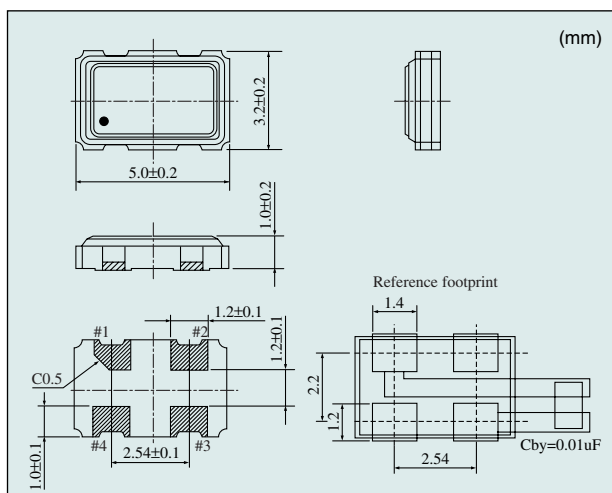
■ Features

- Supply voltage 3.3V.
- Directly drives C-MOS IC.
- The PLL technology enables this series to cover the frequency range from 1 to 181MHz.
- The frequency writing technology makes quick delivery possible.
- Height compatible with slim IC package (TSSOP, TVSOP).
- Half the area and 1/3 the volume of 2500 Series package.
- Ultra light weight (0.06g).
- The best choice for portable PC, PDA and PC card.
- Current Consumption in stand-by state is 30μA or less.
- Embossed carrier tape and IR reflow (lead-free) are possible.

■ **Absolute Maximum Rating**
Supply Voltage (V_{DD}) -0.5~+7.0V DC
Storage Temperature Range -40~+85°C

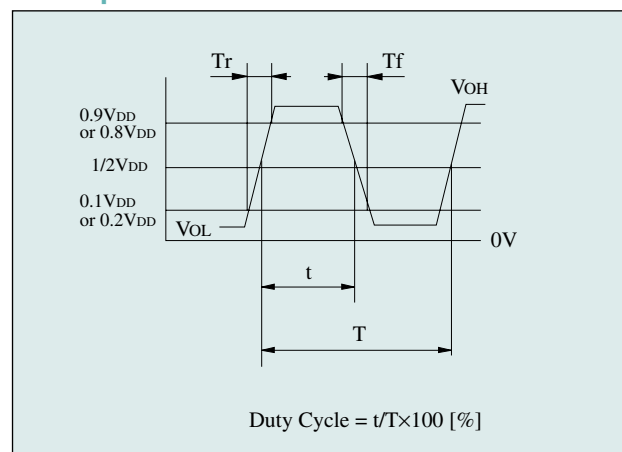
Item	Model	2775Y			
Output Level		C-MOS			
Frequency Range	(MHz)	1≤F≤40	40<F≤70	70<F≤125	125<F≤181
Frequency Stability /Operating Temp. Range	(×10 ⁻⁶)/(°C)	±100/-20~+70 (Standard Model), ±50/-10~+70			
Supply Voltage (V _{DD})	(V)	+3.3±0.3			
Current Consumption (+3.3V, at 25°C)		15mA (max)	22mA (max)	30mA (max)	
	stand-by	30μA (max)			
V _{OL} max / V _{OH} min	(V)	0.1V _{DD} /0.9V _{DD} I _{OL} =4mA, I _{OH} =-4mA			0.2V _{DD} /0.8V _{DD}
Tr max/Tf max	(ns)	5/5 (0.1V _{DD} ~0.9V _{DD})		3/3 (0.2V _{DD} ~0.8V _{DD})	
Duty Cycle	(%)	45~55 (at 1/2V _{DD})		40~60 (at 1/2V _{DD})	
Fanout (gate)	CL (pF)	15			10
Stand-by Function	Tri-state	Yes			

■ 2775Y Series Outline



PAD No.	Connection
# 1	STAND-BY
# 2	GND
# 3	OUTPUT
# 4	V _{DD}

■ Output Wave <C-MOS>



■ Stand-by Function <Tri-state>

# 1 input	# 3 output
H level (0.7V _{DD} ≤ V _{IH} ≤ V _{DD}) or open	Operating
L level (+0.3 V _{DD} max)	High impedance