

# CRYSTAL CLOCK OSCILLATORS

## 2725T SERIES

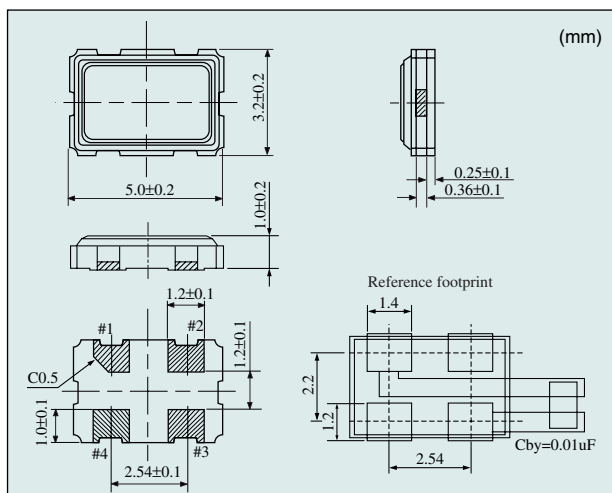
### ■ Features

- Height compatible with slim IC package (TSSOP, TVSOP).
- Half the area and 1/3 the volume of 2500 Series package (5.0×3.2×1.0mm).
- Ultra light weight (0.06g).
- The best choice for portable PC, PDA and PC card.
- Supply voltage 3.3V.
- Directly drives C-MOS IC.
- Frequency range : 2.5~125MHz.
- Current Consumption in stand-by state is 10μA or less.
- Embossed carrier tape and IR reflow are possible.
- Products that are lead-free.

■ **Absolute Maximum Rating**  
**Supply Voltage (V<sub>DD</sub>)** -0.5~+7.0V DC  
**Storage Temperature Range** -40~+85°C

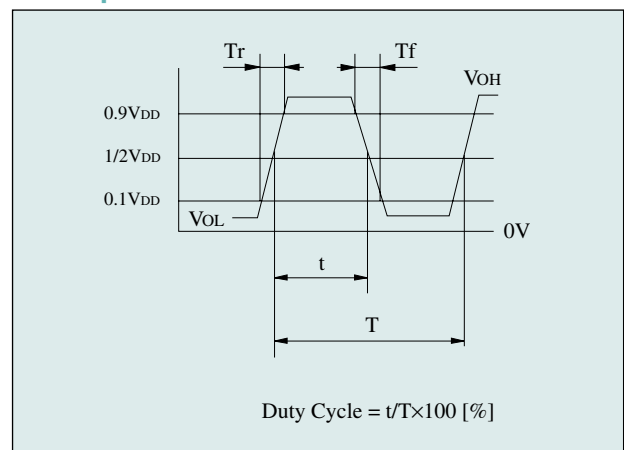
Item		Model	2725T					
Output Level			C-MOS					
Frequency Range	(MHz)		2.5≤F<20	20≤F≤40	40<F<60	60≤F≤75	75<F<100	100≤F≤125
Frequency Stability /Operating Temp. Range	(×10 <sup>-6</sup> )/(°C)		±100/-20~+70 (Standard Model), ±50/-10~+70					
Supply Voltage (V <sub>DD</sub> )	(V)		+3.3±0.3					
Current Consumption (+3.3V, at 25°C)			8mA max	15mA max	22mA max	25mA max	35mA max	40mA max
	stand-by		10μA (max)					
V <sub>OL</sub> max / V <sub>OH</sub> min	(V)		0.1V <sub>DD</sub> ~0.9V <sub>DD</sub> I <sub>OL</sub> =4mA, I <sub>OH</sub> =-4mA					
Tr max/Tf max	(ns)		5/5 (0.1V <sub>DD</sub> ~0.9V <sub>DD</sub> )					
Duty Cycle	(%)		45~55 (at 1/2V <sub>DD</sub> )					
Fanout (gate)	C <sub>L</sub> (pF)		15					
Stand-by Function			Yes					

### ■ 2725T Series Outline



PAD No.	Connection
# 1	STAND-BY
# 2	GND
# 3	OUTPUT
# 4	V <sub>DD</sub>

### ■ Output Wave <C-MOS>



### ■ Stand-by Function <Tri-state>

# 1 input	# 3 output
H level (0.7V <sub>DD</sub> ≤ V <sub>IH</sub> ≤ V <sub>DD</sub> ) or open	Operating
L level (+0.3 V <sub>DD</sub> max)	High impedance