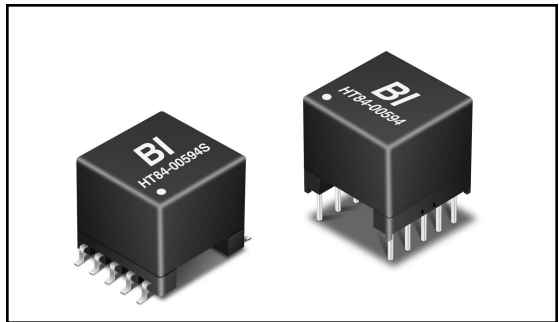


# MODEL HT84 SERIES

## ADSL Coupling Transformers

NEW PRODUCT



### FEATURES AND BENEFITS

- Supports industry standard ADSL/ADSL Lite transceivers
- Excellent total harmonic distortion characteristics
- Meets standard dielectric withstanding voltage requirements
- Conforms to ANSI, ITU and ETSI standards
- Operating temperature range of -40°C to +85°C
- Can be customized to meet unique specifications

### APPLICATIONS

- Designed for line rates up to 8 Mb/s applications
- Designs available for multiple data rates
- ADSL coupling transformer

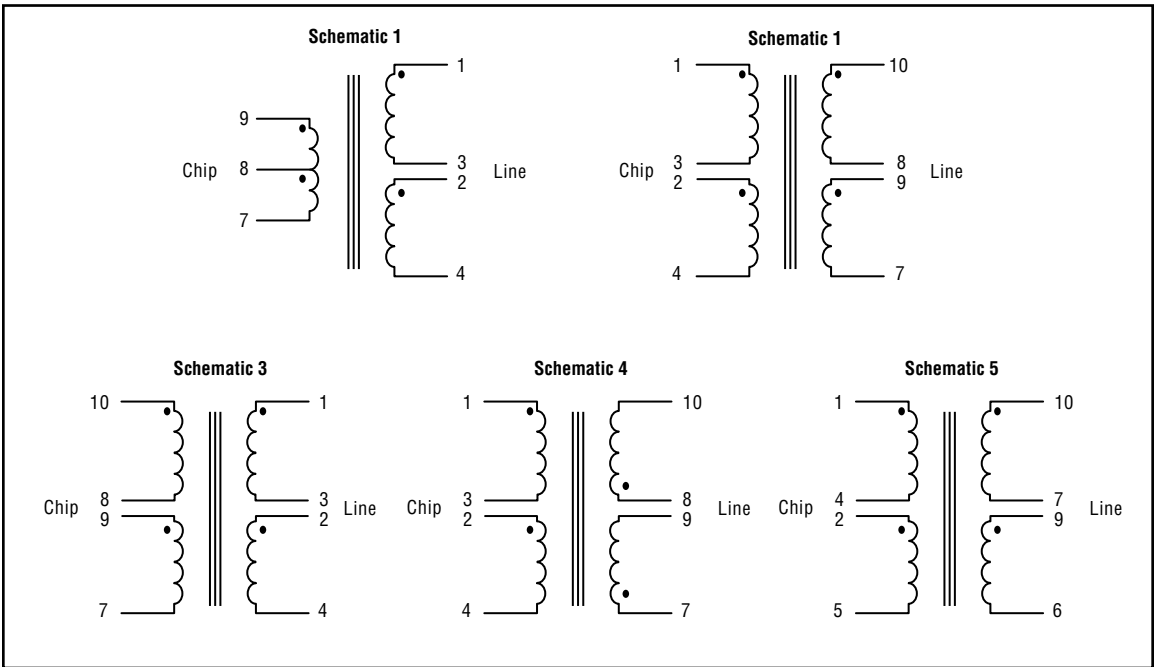
Specifications subject to change without notice.

**ELECTRICAL @ 25°C**

Part Number	Application	Turns Ratio Chip-Line	Open Circuit Inductance Chip Side <sup>(11)</sup> ± 10%	Return	Insertion Loss dB Max.	Longitudinal Balance <sup>(13)</sup> dB Min.	THD		Fig.	Sch.
				Loss dB Min. @ Mid Band			dB Max.	dB Max.		
HT84-00594 <sup>(1)</sup>	COE	1:1:2:2	110µH	16 .2-2 MHz	3.0 .4-2MHz	40 .25-1.1MHz	-75 <sup>(12)</sup>	2 or 3	3	
HT84-00595 <sup>(7)</sup>	COE	1.41:1	940µH	16.5 .4-2 MHz	3.0 .4-2MHz	60 .40-320kHz	-80 <sup>(12)</sup>	2 or 3	3	
HT84-00596 <sup>(9)</sup>	CPE	1:1:1:1	410µH	16 03-1.1MHz	3.0 .3-2MHz	55 .25-1.1MHz	-85 <sup>(12)</sup>	2 or 3	2	
HT84-00597 <sup>(10)</sup>	COE	1:1.41	475µH	16 40-200kHz	1.0 .3-2MHz	55 .25-1.1MHz	-70 <sup>(12)</sup>	2 or 3	2	
HT84-00879 <sup>(15)</sup>	CPE	1:1:1:1	470µH±5%	10 0.1-1.1MHz	1.5 1MHz	50 0.02-1.1MHz	-82 <sup>(14)</sup>	3	4	
HT84-00880 <sup>(16)</sup>	CPE	1:1:1:1	470µH±5%	8 0.1-1.1MHz	1.0 1MHz	50 0.02-1.1MHz	-82 <sup>(14)</sup>	3	4	
HT84-00881 <sup>(17)</sup>	CPE	1:1:1:1	470.5µH±5%	10 0.1-1.1MHz	0.7 1MHz	50 0.02-1.1MHz	-82 <sup>(14)</sup>	3	5	
HT84-99725 <sup>(2)</sup>	CPE	1:1:1:1	440µH	16 .2-2MHz	3.0 .4-2MHz	40 .25-1.1MHz	-70 <sup>(12)</sup>	2 or 3	3	
HT84-99726 <sup>(3)</sup>	COE	1ct:1.2	2.75mH	16.5 .4-2MHz	1.0 .3-1MHz	40 .25-1.1MHz	-80 <sup>(12)</sup>	2 or 3	1	
HT84-99727 <sup>(4)</sup>	CPE	1.8:1	12.96mH	16 .3-1.1MHz	1.0 .3-1MHz	40 .25-1.1MHz	-75 <sup>(12)</sup>	2 or 3	1	
HT84-99728 <sup>(5)</sup>	CO/CP	1:1:1:1	5.0mH	16.5 .3-1.1MHz	1.0 .3-2MHz	40 .25-1.1MHz	-80 <sup>(12)</sup>	2 or 3	3	
HT84-99729 <sup>(6)</sup>	COE	1.41:1	940µH	16.5 .4-2MHz	3.0 .4-2MHz	62 40-320MHz	-70 <sup>(12)</sup>	1	2	
HT84-99730 <sup>(8)</sup>	CPE	1:1:1:1	410µH	16 .3-1.1MHz	3.0 .3-2MHz	55 .25-1.1MHz	-85 <sup>(12)</sup>	2 or 3	3	

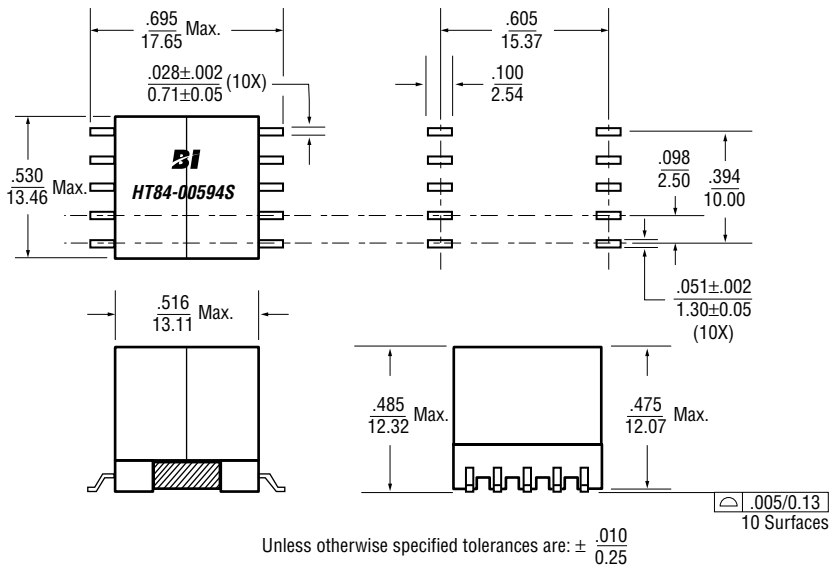
- Notes:** (1) Supports Alcatel MTK20131/134AFE with DCR ≤0.5/0.8Ω.  
(2) Supports Alcatel MTK20131/134AFE with DCR ≤2.0/1.2Ω.  
(3) Supports Motorola MCI145650 (MC03AX1256CO line driver) with DCR ≤4.0/1.91, 1.91Ω.  
(4) Supports Motorola MCI145650 (MC03AX1256CO line driver) with DCR ≤7.4/2.1, 2.1Ω.  
(5) Supports Analog Devices AD20MSP910/918 with DCR ≤3.0/3.0Ω.  
(6) Supports Globespan 7M640 with DCR ≤1.2/1.2Ω and DWV at 3,000 Vrms.  
(7) Supports Globespan 7M640 with DCR ≤1.2/1.2Ω.  
(8) Supports Elantec EL-1501 with DCR ≤1.0/1.0Ω.  
(9) Supports Alcatel MTK 20131/134AFE with DCR ≤1.3/1.2Ω.  
(10) Supports Elantec EL-1501 with DCR ≤1.4/2.2Ω.  
(11) OCL tested @ 10kHz, 100mV with appropriate IDC.  
(12) THD tested @ 5kHz, 6Vp-p with 100Ω load.  
(13) Longitudinal balance: frequency range specified at 100Ω.  
(14) THD tested @50kHz, 5.3 Vrms.  
(15) Supports ITeX Apollo II/STMicroelectronics with DCR : 2.53/2.56Ω.  
(16) Supports ITeX Apollo II/STMicroelectronics & Alcatel MTK-20140 with DCR : 3.4/3.45Ω.  
(17) Supports Globespan EL1501 with DCR <800/800Ω.

# SCHEMATICS



# OUTLINE DIMENSIONS (Inch/mm)

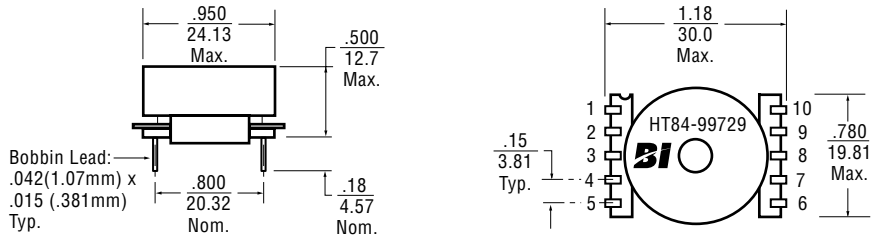
Figure 3 – Surface Mount



6

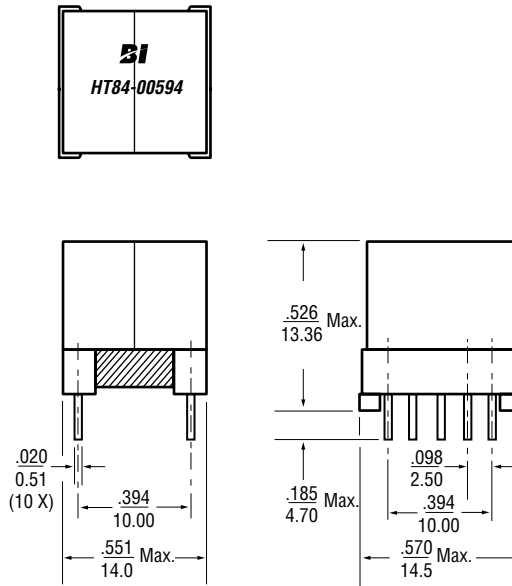
**OUTLINE DIMENSIONS (Inch/mm)**

Figure 1 – Through-Hole



Unless otherwise specified tolerances are:  $\pm \frac{.010}{0.25}$

Figure 2 – Through-Hole



Unless otherwise specified tolerances are:  $\pm \frac{.010}{0.25}$

## PACKAGING

**Standard:** Plastic Tubes

Capacity	Figure 1	=	45 Units
	Figures 2 & 3	=	60 Units

## ORDERING INFORMATION

