

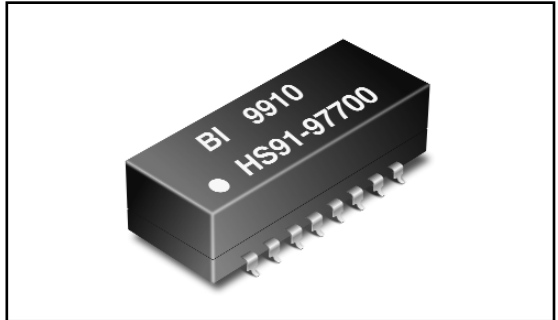
MODEL HS91 SERIES

10/100Base-T

Single Port

LAN Module

NEW PRODUCT



FEATURES AND BENEFITS

- Interface transformer modules with multiple turns ratio
- Designed for 100 Mbps and 155 Mbp/s transmission over UTP-5 and STP cable
- Supports National Semiconductor, AMD, Level One and other major chip manufacturers
- Cable interface for isolated and low common mode emissions
- Surface mount package compatible with vapor phase and IR reflow soldering process
- Meets IEEE 802.3 and ANSI X3.263 standards

ENVIRONMENTAL

Operating Temperature Range

0°C to +70°C

MECHANICAL

Lead Plating	85/15 Tin Lead
Lead Material	Copper Alloy 42
Lead Configuration	Gull Wing
Lead Coplanarity	0.004" (0.102mm)
Case Material, UL-94V-0 Rated	Molded Epoxy

Specifications subject to change without notice.

6

ELECTRICAL @ 25°C (HS91-97700)

Turns Ratio Tx & Rx	Insertion Loss dB Max. MHz	Rise Time ns Typ.	Differential to Common				Cross Talk dB Max. MHz		Isolation Voltage V rms Min.
			Return Loss dB Typ. MHz		Mode Rejection dB Min. MHz				
	1 - 100	10 to 90%	0.1 - 60	60 - 100	0.1 - 60	60 - 100	0.1 - 60	60 - 100	
1:1 & 1:1	-1.0	2.5	-18TX -17RX	-13TX -15RX	-42TX -40RX	-40TX -35RX	-40	-38	1500

ELECTRICAL @ 25°C (HS91-97701)

Turns Ratio Tx & Rx	Insertion Loss dB Max. MHz	Rise Time ns Typ.	Differential to Common				Cross Talk dB Max. MHz		Isolation Voltage V rms Min.
			Return Loss dB Typ. MHz		Mode Rejection dB Min. MHz				
	1 - 100	10 to 90%	0.1 - 60	60 - 100	0.1 - 60	60 - 100	0.1 - 60	60 - 100	
1:1 & 1:1	-1.0	2.5	-15TX -17RX	-11TX -15RX	-45TX -40RX	-40TX -35RX	-40	-38	1500

ELECTRICAL @ 25°C (HS91-98704)

Turns Ratio Tx & Rx	Insertion Loss dB Max. MHz	Rise Time ns Typ.	Differential to Common				Cross Talk dB Max. MHz		Isolation Voltage V rms Min.
			Return Loss dB Typ. MHz		Mode Rejection dB Min. MHz				
	1 - 100	10 to 90%	0.1 - 60	60 - 100	0.1 - 60	60 - 100	0.1 - 60	60 - 100	
√2:1 & 1:1	-1.0	2.5	-18TX -17RX	-13TX -15RX	-42TX -40RX	-40TX -35RX	-40	-38	1500

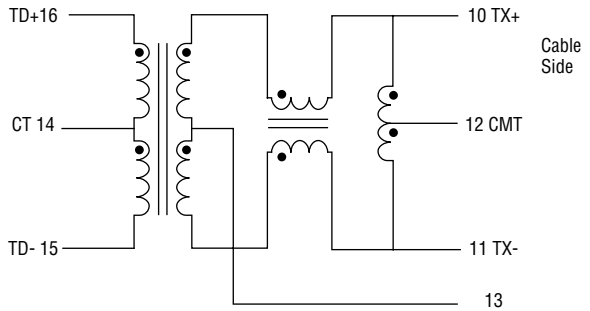
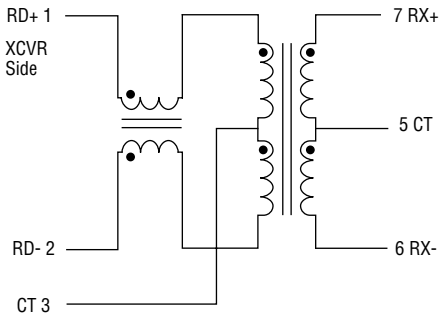
PACKAGING**Standard:** Tubes

Magazine Capacity = 19 Units

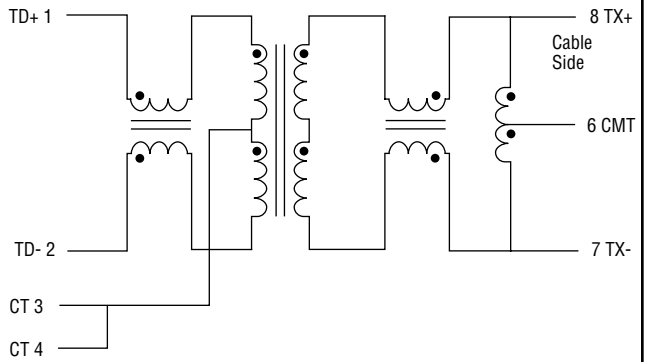
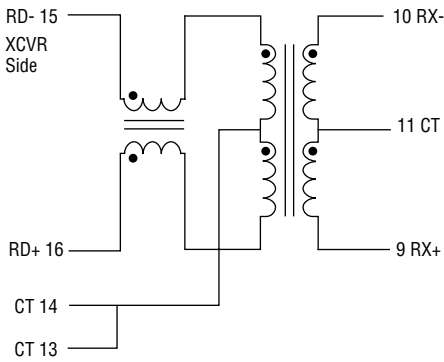
Option: Tape & ReelReel Diameter = 13"(330mm)
Capacity = 500 Units

SCHEMATICS

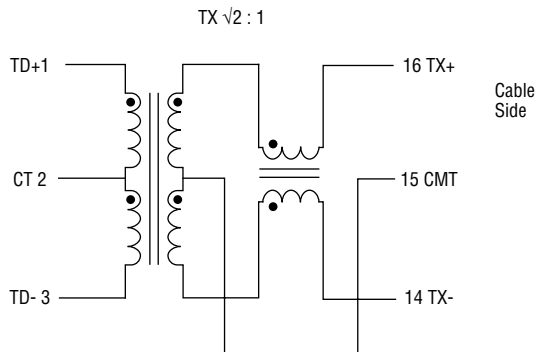
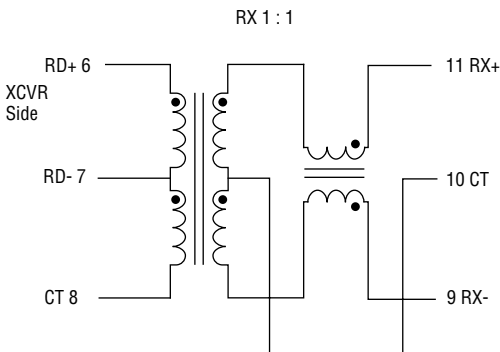
Model HS91-97700 - Schematic A



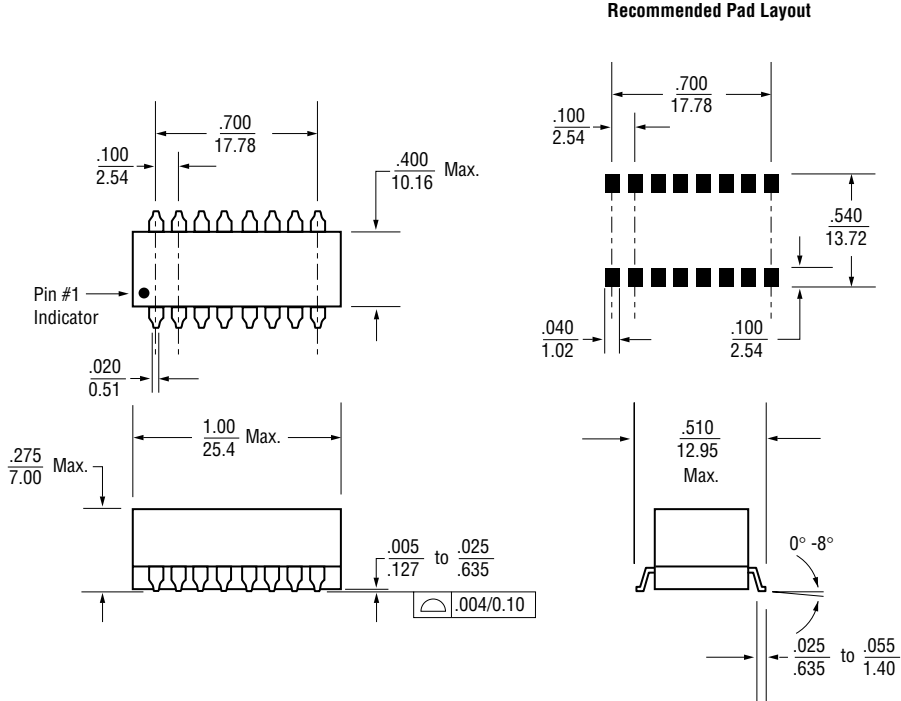
Model HS91-97701 - Schematic B



Model HS91-98704 - Schematic C



OUTLINE DIMENSIONS (Inch/mm)



Tolerances unless otherwise specified $\pm .005"$ (.127mm).

ORDERING INFORMATION

