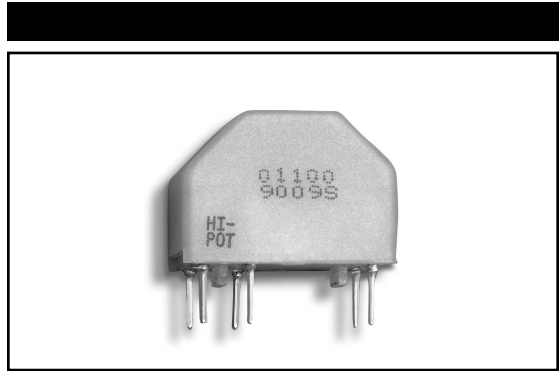


MODEL HM41 SERIES

Toroid Style

Gate Drive Transformers

with Mounting Bracket



FEATURES AND BENEFITS

- Complies with VDE safety requirements
- Custom designs available

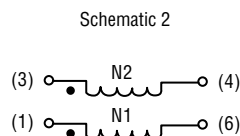
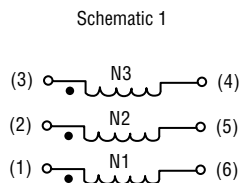
APPLICATIONS

- Switching power supply
- Motor control circuit
- Office equipment
- CRT display

ELECTRICAL / ENVIRONMENTAL

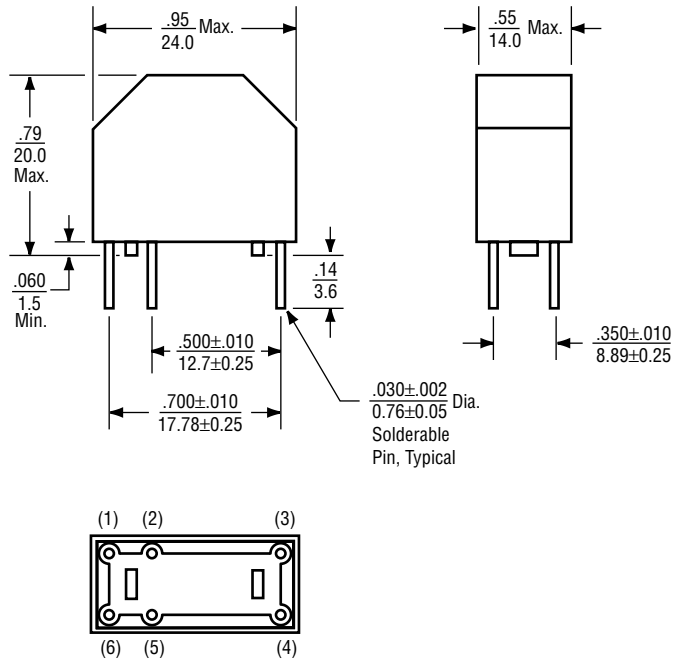
Insulation Resistance, Minimum	100 Megohms
Insulation System	Tefzel Wire
Temperature Rise, Maximum	40°C
Current Rating	0.3 Amps

SCHEMATICS



Specifications subject to change without notice.

OUTLINE DIMENSIONS (Inch/mm)



SPECIFICATIONS @ 25°C

Part Number	Turns ± 0 N1:N2:N3	Inductance 1 Vrms 10 kHz Term 1-6 mH Min.	Leakage* Inductance Term 3-4 μ H Max.	DC		ET Term 1-6 V- μ S Max.	Schematic
				Resistance Term 1-6 Ω Max.	Resistance Term 3-4 Ω Max.		
HM41-10812	8:8:12	0.138	0.3	0.060	0.097	52	1
HM41-21010	10:10	0.216	0.3	0.064	0.074	65	2
HM41-11010	10:10:10	0.216	0.3	0.064	0.074	65	1
HM41-11210	12:12:10	0.310	0.3	0.077	0.072	78	1
HM41-11410	14:14:10	0.420	0.3	0.090	0.072	91	1
HM41-20105	10:15	0.216	0.3	0.064	0.100	65	2
HM41-11510	15:15:10	0.480	0.3	0.100	0.072	98	1
HM41-12010	20:20:10	0.860	0.3	0.138	0.072	130	1
HM41-12020	20:20:20	0.860	0.3	0.156	0.156	130	1

*Measured with primary shorted.